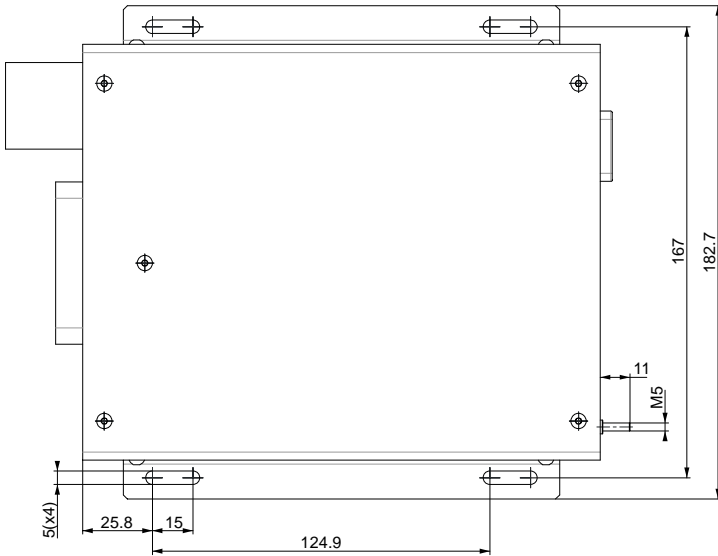
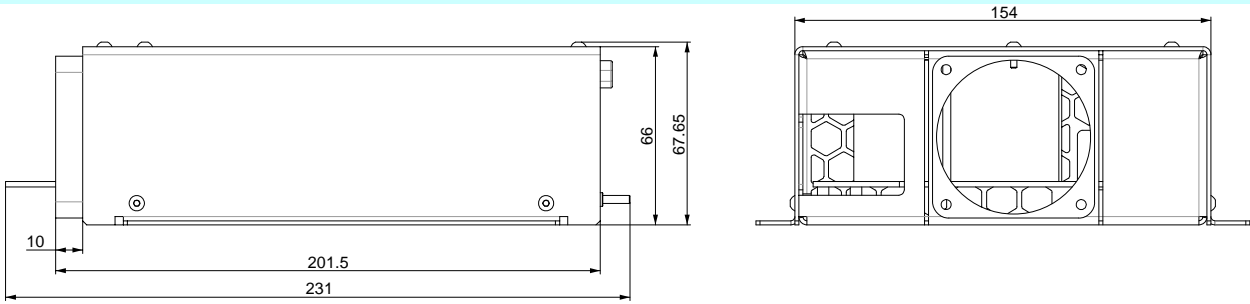


## LDD-SERIES SELECTION CHART

<b>NAME</b>	<b>MAX POWER</b>	<b>CURRENT</b>	<b>INPUT VOLTAGE</b>	<b>CASE</b>
LDD-50	50 W	5-25 A	110/230 VAC	A
LDD-150	150 W	5-75 A	110/230 VAC	B
LDD-250	250 W	10-100 A	110/230 VAC	B
LDD-400	400 W	10-100 A	230 VAC	B
LDD-600	600 W	10-100 A	110/230 VAC	C
LDD-1000	1000 W	10-100 A	110/230 VAC	C
LDD-1500	1500 W	10-100 A	230 VAC	C

Additional information about LDD-50 model is available on request...

## CASE B



## CASE C

